

1400 SERIES

Viewing Windows

Performance design offers complete glass protection for your viewing windows.

- Available in Normal and Low Temp platforms
- 1 inch Thick Insulated Glass in a wide range of sizes including custom sizes



1400 SERIES Viewing Windows

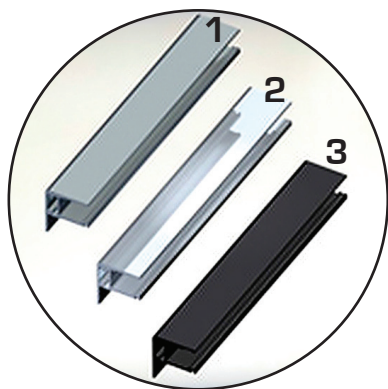
Unique and Versatile

- DDS Glass Doors offers a wide range of viewing windows from a view port of windows to windows as large as 5' x 7'
- Windows can be used in wall thicknesses from 2" to 6" with standard trim kits.
- Consult our factory for custom size windows



Available Finishes

1. Satin Silver
2. Bright Dip Silver
3. Black



Low Temp

- 3 Pane Heated Glass
- Standard Trim Kit

Normal Temp

- 3 Pane Gas Filled Glass
- Energy Free Design
- High Humidity Protection
- Standard Trim Kit

Normal Temp Heated

- 2 Pane Heated Glass
- 100% Protection
- Standard Trim Kit

